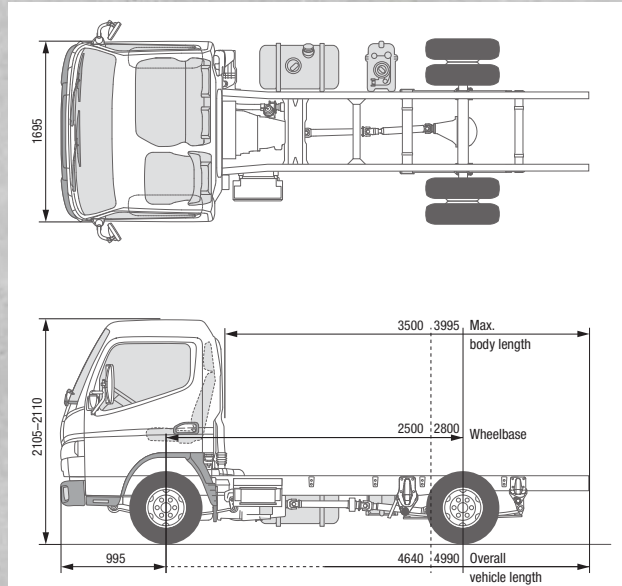




CANTER 3S13

LEFT-HAND DRIVE



MODEL / VEHICLE TYPE	3S13	
----------------------	------	--

Cab type / crew	Standard, single cab / 3	
Model variant	46880211	46880311
FUSO model code	FEA01BL4SEUS	FEA01CL4SEUS

DIMENSIONS mm		
---------------	--	--

Wheelbase		2500	2800
Overall length		4640	4990
Cab length			1510
Width overall			1700
Cab width			1695
Height overall		2110	2105
Track width	Front / rear		1405 / 1255
Frame height (at end of frame)		735	730
Ground clearance			165
Cab to rear axle		1975	2275
Cab to end of frame		3120	3470
Max. body length**		3500	3995
Frame width			700
Front overhang			995
Rear overhang		1145	1195
Front axle to front of body			625
Recommended distance cab to body			100

WEIGHTS kg		
------------	--	--

Empty weight*		1920	1930
	Front* / rear*	1385 / 535	1410 / 520
Minimum vehicle weight			2355
Gross vehicle weight / gross combination weight			3500 / 7000
Axle loads	Front / rear		1900 / 2500
Towed weight	Braked / unbraked		3500 / 750
Chassis load bearing capacity		1580	1570

Calculated Output		
-------------------	--	--

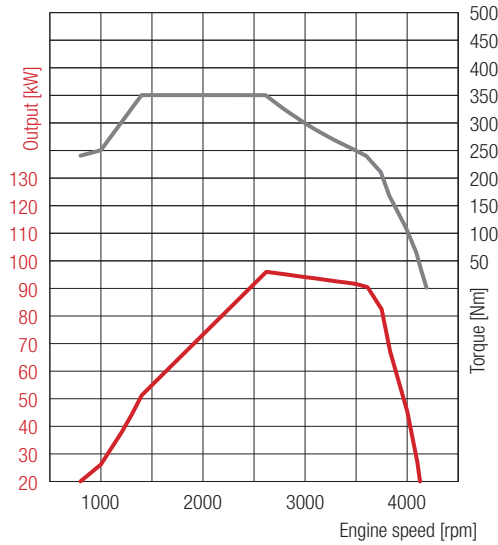
Max. speed	km/h		140
Min. turning circle (m)	Kerb to kerb	9.0	10.0
	Wall to wall	10.2	11.2

* including coolant, oil, 90% fuel, tyre sealant, tools and driver weighing 75 kg; ** calculated maximum value. Should be checked depending on the body installed and the particular application
 Subject to change without notice. The information in this data sheet should be considered approximate. The illustrations may show accessories and special equipment not part of the standard specification. This data sheet may also contain models and support services not available in certain countries.



CANTER 3S13

LHD



4P10 – 96 kW (130 PS)
 350 Nm@1400 rpm
 96 kW@2620 rpm

ENGINE (Euro VI)

Type	Water-cooled four-stroke diesel engine with turbocharger, intercooler and direct injection		
No. of cylinders	4/in-line		
Capacity	2998 cm ³		
Peak output	96 kW (130 hp) / 2620 rpm		
Rated torque	350 Nm / 1400 rpm		
Diesel particulate filter	Service life approx. 300,000 km		
Alternator	Alternating current 12V, 140A		
Exhaust gas aftertreatment	DPF + SCR		
PTO (optional)	Type	31 kW with flange	31 kW for directly connected pumps
	Torque at peak output [Nm]:	196 Nm	
	Gear ratios	1:0.655	1:0.651
	Engine speed at peak output	1500 rpm	

POWERTRAIN

Transmission	Model	Manual gearbox, 5 forward gears, 1 reverse gear
	Gear ratio	5.494 - 3.193 - 1.689 - 1.000 - 0.723 Rev. 5.494
Rear axle gear ratio	Ratio	4.111

CHASSIS

Front axle / rear axle	Model	F100T / R015T
	Load-bearing capacity front/rear	1900 kg / 2500 kg
Tyres		195/75R16C 107/105 R
		Twin tyres at rear
Wheel		16 x 5 JK - 110
Steering		LHD
		Recirculating-ball steering with power assist, tilting telescopic steering column with steering-wheel lock
Brake	Service brake	Hydraulic with vacuum power assist, dual-circuit with load-dependent brake proportioning valve at rear wheels
	Front / rear	Disc brake (217 x 24)
	Parking brake	Mechanical expanding brake on drive shaft at rear of transmission
	Auxiliary brake	Exhaust brake (50 kW)
Suspension	Front / rear	Independent wheel suspension (coil spring) with shock absorber / semi-elliptic leaf spring with shock absorber
Frame	Type	Ladder-type frame with reinforcements and crossmembers
Fuel tank capacity		70 litres
Electrical system – batteries		12 Volt (100 AH - 760 A(EN))